
Case Study - Bottle Unscrambler

Industry

Bottling plant.

Problem

Equipment operated 24/7 making it very difficult to stop for the manufacturer-recommended service intervals. To lubricate the 5 bearings, the machine had to be completely shut down and locked out; and access to the bearings required several panels be removed. So, when lubrication was done, it was done so very quickly in order to get the equipment back up and running. This led to inadequate, and sometimes completely missed, lubrication.

Solution

We installed a MEMOLUB® 5-point Multi-Point System to supply constant lubrication to the bearings, while the unscrambler was in operation. The lubrication system was mounted to the outside of the equipment, making it possible to replenish the lubricant supply without shutting down the equipment.

Results

This was a huge advantage as it allowed maintenance technicians to avoid time-consuming lock-out/tag-out procedures while still remaining compliant with the facility's safety protocols.



Providing Simple Solutions to Lubrication Problems

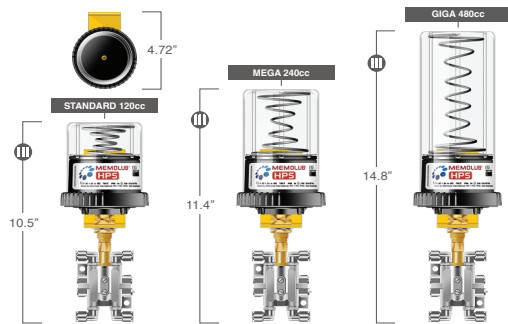
MEMOLUB® HPS offers a leading class of single & multi-point electro-mechanical lubricators used in a wide range of industrial applications.

- *Reduced Operating Costs*
- *Extended Equipment Life*
- *Increased Productivity*
- *Safer Work Environment*



*Contact us for more information:
800-635-8170
sales@powerlubeind.com*

Specifications



Lubricate from 2 to 8 lube points

MEMOLUB® MPS Technical Specifications

Output Pressure:	350PSI
Power Supply:	4.5VDC Alkaline battery pack
Remote Installation:	up to 30 Feet (9 meters)*
Connection Thread:	1/4" NPT (1/8" NPT available)
Lubricant Cartridge Capacity:	120cc, 240cc and 480cc - Oil or Grease (up to NLGI #2)
Temperature Range:	5°F to 120°F (-15°C to 50°C)
Lubricator Warranty:	2 Years
Operation:	Progressive valve cycled by positive displacement pump

* Maximum length of tubing is dependent on tubing I.D., ambient temperature, grease consistency and application back pressure.

Installation

MEMOLUB® Multi-Point Lubrication System

A Multi-Point Lubricator is an automatic lubrication system that delivers a metered amount of lubricant to multiple lube points from a centrally located lubricant reservoir.

Our MEMOLUB MPS (Multi-Point Systems) combine the 350psi output pressure of the MEMOLUB lubricators with a progressive distribution valve to form a cost effective central lubrication system.

- Lubricate up to 8 lube points with one MEMOLUB HPS Multi-Point Lubricator
- More economical than larger central systems
- Improve personnel safety by remote mounting for easy access
- Three reservoir sizes available 120cc, 240cc and 480cc
- Battery, Externally or PLC powered models available
- MEMOLUB MPS systems provide a very simple, cost-effective solution to multi-point lubrication.

Why MEMOLUB®

- ... Operates 24 hours a day
- ... Easy to install
- ... Quick lubricant cartridge change-out
- ... Battery operated
- ... Delivers a fresh supply of grease to bearings



**POWER LUBE
INDUSTRIAL, LLC**
4930 S. 2nd St. Ste 300
Milwaukee, WI 53207
800-637-8170
sales@powerlubeind.com