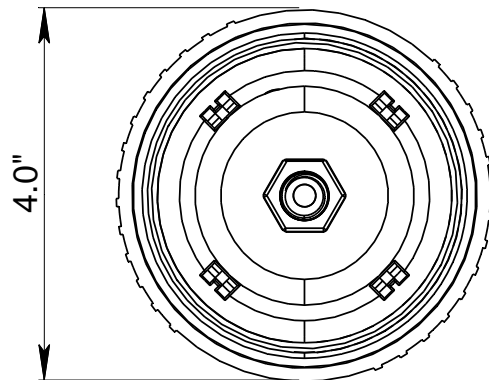
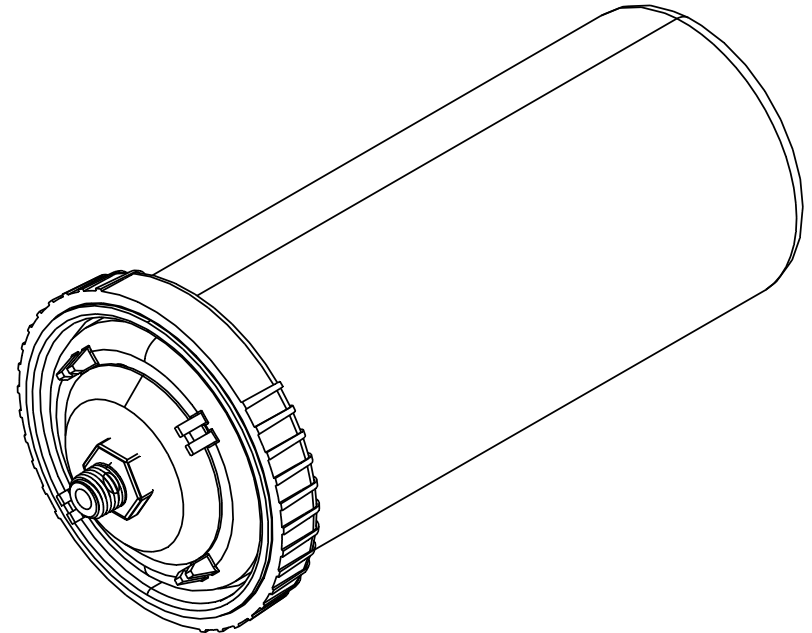
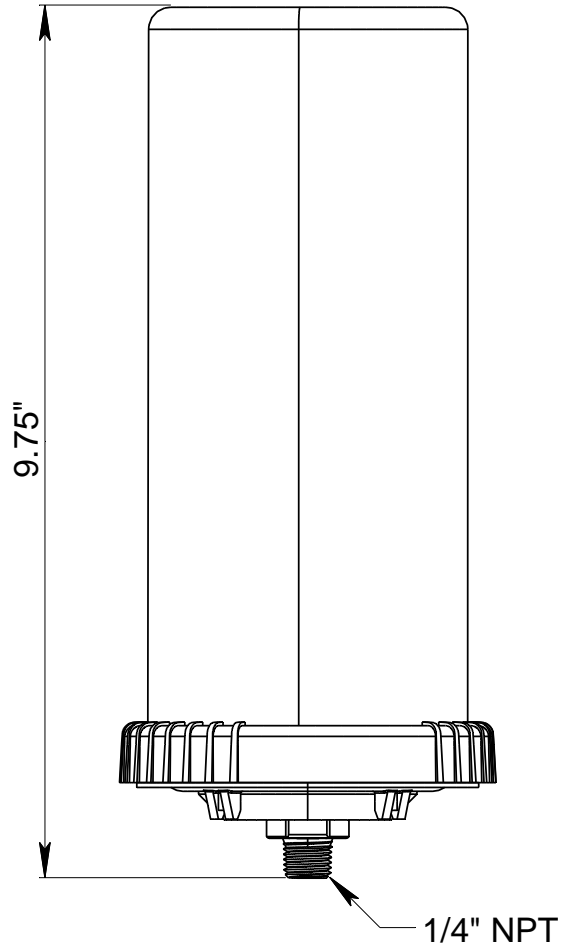




800-635-8170



| | | | | | |
|------------------------------------|--|---|--|------------------------|--|
| Unless Otherwise Specified: | | Name | | Date | |
| Dimensions in Inches | | Drawn | | Power Lube Industrial | |
| Tolerances: Fractional ± | | Checked | | MEMOLUB 480 | |
| Angular: Mach ± Bend ± | | ENG Appr. | | MEMOLUB Model 480 | |
| Two Place Decimal ± | | MFR Appr. | | HPS, EPC, EPS and PLCd | |
| Three Place Decimal ± | | QA | | Size | |
| Material -- | | Comments | | Drawing No. | |
| Finish -- | | CAD Generated Drawing Do Not Manually Update | | A ML480 | |
| Do Not Scale Drawing | | | | Rev | |
| | | | | A | |
| | | Scale 1:2 | | CAD File ML480-2DIM | |
| | | | | Sheet 1 of 1 | |