

DATA SHEET

MEMOLUB® MPS Multi-Point Lubrication System

These systems provide a cost effective solution for lubricating multiple lube points with just one MEMOLUB® lubricator.

General Description

A MEMOLUB® MPS system combines any of the MEMOLUB® high pressure lubricators (HPS, EPS or PLCd) with a progressive distribution kit to create a compact, centralized lubrication system. These systems can reliably lubricate from 2 to 12 lube points and can be mounted up to 30 feet* from the lube points. The system is sold complete with a MEMOLUB® lubricator, mounting bracket, distribution valve and push-in tube fittings for quick installation. Prefilled nylon tubing is sold separately.



MEMOLUB® HPS
-Battery powered
-MEMO programmed



MEMOLUB® EPS
-Externally powered
-MEMO programmed



MEMOLUB® PLCd
-PLC powered & programmed

Specifications	
Operation:	Progressive valve cycled by positive displacement pump
Lubricant cartridge capacity:	120cc, 240cc or 480cc (Replaceable)
Compatible lubricants:	Oils or Grease (to NLGI #2)
Connection thread:	A variety of bearing fittings available
Max operating pressure:	350psi (25 bar)
Temperature range:	5°F to 120°F (-15°C to 50°C)
Output timing settings:	Based on MEMOLUB® Model used
Power supply:	4.5VDC battery pack or 24VDC External Power
External On/Off Control	Yes when used with EPS or PLCd lubricators
Remote installation:	Up to 30 feet (9 meters)*
Reusable:	Yes
Multi-Point Systems:	2, 3, 4, 5, 6, 7, 8, 9**, 10**, 11** & 12** points
Warranty:	2 Year limited

*Maximum lube line length is dependent on ambient temperature, grease viscosity & type and application back pressure.

** Multi-Point Systems with more than 8 outlets have restrictions on tubing OD, tubing length and the viscosity of the lubricant. Please call our staff at 800-635-8170 to answer any questions about sizing and installing your MPS System.

Benefits

Reduce production downtime by lubricating your equipment while in operation

Improve safety by remote mounting the MPS up to 30 feet from the lube point from hazardous locations

Closed system to control airborne contaminants

Reduce lubrication costs by utilizing “Minimal Lubrication Practices”



Power Lube Industrial, LLC
4930 S. 2nd St. Ste 300
Milwaukee, WI 53207
800.635.8170 Toll-Free
414.727.8170 Local
414.727.8171 Fax
www.powerlubeind.com

How to order

A MEMOLUB® MPS system can be ordered by using the quick coding below. Simply replace the “X’s” with the code corresponding to your selection in the sub-menus.

MPS - **XX** - **X** - **XXXXXX** - **XXX**

How many lube points would you like to lubricate?

Number of outlet ports

- 02** = 2-Point (Each outlet 0.6cc)
- 03** = 3-Point (Each outlet 0.6cc)
- 04** = 4-Point (Each outlet 0.3cc)
- 05** = 5-Point (Four outlets at 0.3cc and one outlet at 0.6cc)
- 06** = 6-Point (Each outlet 0.3cc)
- 07** = 7-Point (Six outlets at 0.3cc and one outlet at 0.6cc)
- 08** = 8-Point (Each outlet 0.3cc)
- 09*** = 9-Point (Six outlets at 0.3cc and three outlets at 0.6cc)
- 10*** = 10-Point (Eight outlets at 0.3cc and two outlets at 0.6cc)
- 11*** = 11-Point (Ten outlets at 0.3cc and one outlet at 0.6cc)
- 12*** = 12-Point (Each outlet 0.3cc)

Do you want to lubricate with grease or oil?

- O** = Oil
- G** = Grease

Which model and size MEMOLUB® would you like to use?

- 120HPS** = 120cc - Battery powered lubricator
- 240HPS** = 240cc - Battery powered lubricator
- 480HPS** = 480cc - Battery powered lubricator
- 120EPS-24V** = 120cc - 24VDC External powered lubricator
- 240EPS-24V** = 240cc - 24VDC External powered lubricator
- 480EPS-24V** = 480cc - 24VDC External powered lubricator
- 120PLCD** = 120cc - PLC powered and programmed lubricator
- 240PLCD** = 240cc - PLC powered and programmed lubricator
- 480PLCD** = 480cc - PLC powered and programmed lubricator

*** Multi-Point Systems with more than 8 outlets have restrictions on tubing OD, tubing length and the viscosity of the lubricant. Please call our staff at 800-635-8170 to answer any questions about sizing and installing your MPS System.**

Example:

The part# MPS-04-G-240HPS-02 will be a 4-outlet grease system using the MEMOLUB® 240HPS lubricator and straight bearing fittings with a 1/4” NPT male thread.

Bearing Fittings

Here is a list of the most common fittings used with our MPS systems. **Other thread and tubing sizes are available upon request**

1/4” OD Tubing - Standard Bearing Fittings

- 50** = No bearing fittings
- 51** = 1/8" NPT (M) -Straight
- 52** = 1/4" NPT (M) -Straight
- 53** = 1/8" NPT (M) -90° Elbow
- 54** = 1/4" NPT (M) -90° Elbow

5/16” OD Tubing - Standard Bearing Fittings

- 00** = No bearing fittings
- 01** = 1/8" NPT (M) -Straight
- 02** = 1/4" NPT (M) -Straight
- 03** = 1/8" NPT (M) -90° Elbow
- 04** = 1/4" NPT (M) -90° Elbow

5/16” OD Tubing - Stainless Steel Bearing Fittings

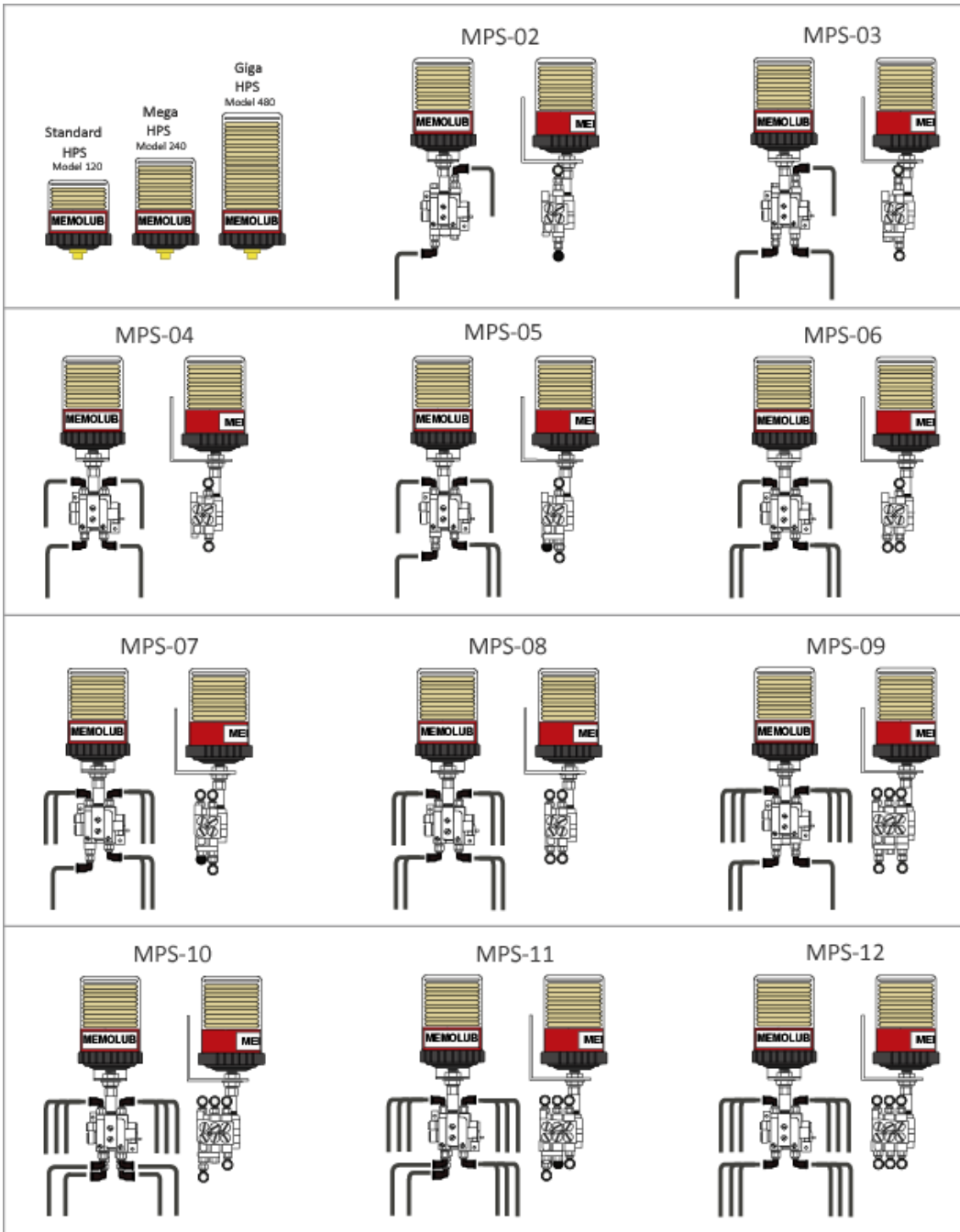
- SS1** = 1/8" NPT (M) -Straight SS
- SS2** = 1/4" NPT (M) -Straight SS
- SS3** = 1/8" NPT (M) -90° Elbow SS
- SS4** = 1/4" NPT (M) -90° Elbow SS

Our staff is available at 800-635-8170 to answer any questions about sizing and installing your MPS System.



Power Lube Industrial, LLC
 4930 S. 2nd St. Ste 300
 Milwaukee, WI 53207
 800.635.8170 Toll-Free
 414.727.8170 Local
 414.727.8171 Fax
 www.powerlubeind.com

Multi-Point System Configurations



Sizing note:

Some MPS Systems use a horizontal or vertical coupler to accommodate different configurations of the distribution valve.

When coupling two outlets together, the amount of lubricant discharged doubles from 0.3cc's to 0.6cc's.

Tubing length chart for your remote mounting MPS System

Viscosity	2 to 8 Points	9 to 12 Points
1000 cSt	20 ft (6m)	10 ft (3m)
3000 cSt	16 ft (5m)	Call
5000 cSt	13 ft (4m)	Call
9000 cSt	7 ft (2m)	Call
15000 cSt	3 ft (1m)	Call

Maximum length of tubing is dependent on tubing I.D., ambient temperature, grease viscosity and application back pressure. Please call our staff to answer any questions about sizing and installing your MPS System.



Power Lube Industrial, LLC
 4930 S. 2nd St. Ste 300
 Milwaukee, WI 53207
 800.635.8170 Toll-Free
 414.727.8170 Local
 414.727.8171 Fax
 www.powerlubeind.com

INSTALLATION



1. Remove plug from inlet and short shipping tubes from fittings.



2. Install mounting bracket in an easy access location.



3. Screw the preset MEMO fitting into system inlet.



4. Gently press the black timing ring holder onto the MEMO fitting.



5. Install the tubing fitting on bearing or lube point.



6. Cut tubing to the desired length. Insert into the distribution valve fittings.



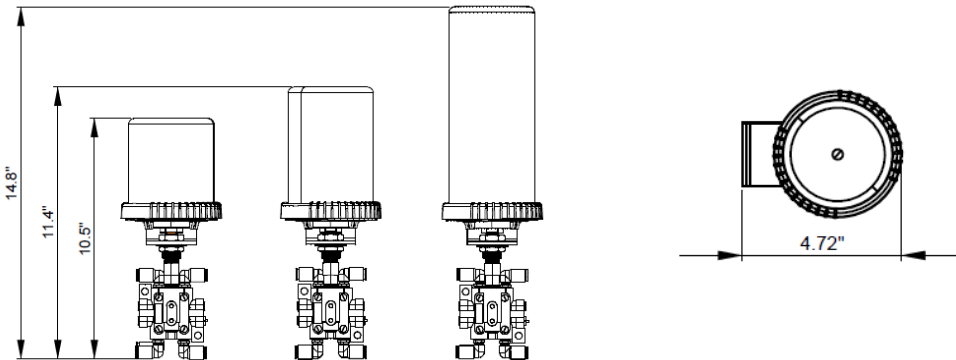
7. Insert the other end of the tubing in lube point fitting.



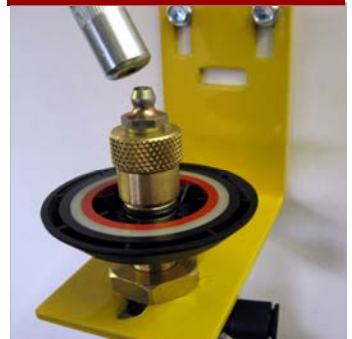
8. Screw the MEMOLUB® lubricator onto the MEMO fitting. Your MPS System is ready to go!

The MEMOLUB® MPS is primed before shipment and is ready for use. On first installation of the MPS system, all lube lines and bearings should be pre-charged with the same lubricant that was ordered with the MEMOLUB® lubricator (prefilled tubing is available and sold separately).

Note: Periodic visual inspection is recommended for all MEMOLUB® lubricators.



Maintenance tip:



There is a maintenance adapter included with the MPS system. It is used for filling empty tubing and to periodically flush the system.

Simply screw the adapter onto the MEMO fitting and apply a standard grease gun to the nipple to inject grease through the valve and tubing.

Accessories



Pre-filled Tubing



Protective Cover



Power Lube Industrial, LLC
 4930 S. 2nd St. Ste 300
 Milwaukee, WI 53207
 800.635.8170 Toll-Free
 414.727.8170 Local
 414.727.8171 Fax
 www.powerlubeind.com